

Custom Adhesive Direct Thermal Labels Shipping Printer Barcode Labels Roll

Our Product Introduction

for more products please visit us on hanbutech.com

Basic Information

- Place of Origin: China
- Brand Name: Hanbu
- Certification: ISO9001,ROHS,CE
- Minimum Order Quantity: 2
- Packaging Details: Each roll with plastic bag package
- Delivery Time: 4 - 8 working days
- Payment Terms: L/C, T/T, Western Union, MoneyGram



Product Specification

- Application: Versatile (suitable For Shipping, Logistics, Retail, Healthcare, Etc.)
- Waterproof: Yes
- Material: Thermal Paper
- Customizability: Customizable In Size, Shape, And Color
- Adhesive Type: Strong Adhesive
- Certifications: FDA, RoHS
- Durability: Fade-resistant, Smudge-proof, Moisture-resistant
- Quantity: 1 Roll
- Highlight: **Moisture Resistant Shipping Labels, Fade Resistant Direct Thermal Labels, FDA Printer Barcode Labels Roll**



More Images



Adhesive Paper Custom Stickers Roll Direct Thermal Labels Shipping Labels Printer Barcode Labels Roll

Product Description:

Our Thermal Transfer Labels are versatile and can be used for a variety of applications such as shipping, logistics, retail, healthcare, and more. They are designed to meet the demands of any industry, providing you with reliable and durable labeling solutions. Each roll of our Thermal Transfer Labels comes with one roll, making it easy and convenient to order the exact amount you need. Whether you need a small quantity or a bulk order, we have got you covered. Our Thermal Transfer Labels feature a strong adhesive, ensuring that your labels stay in place, even in the toughest environments. These waterproof and flexible labels are perfect for labeling products that may be exposed to moisture, heat, or other harsh conditions. Our Thermal Transfer Labels are customizable in size, shape, and color. We understand that every business has unique labeling needs, which is why we have made our labels customizable to fit your specific requirements. Our labels can be tailored to fit your branding, product labeling, and other needs. Our Thermal Transfer Labels are perfect for any business looking for high-quality, durable, and reliable labeling solutions. Whether you need to label products for shipping, logistics, retail, healthcare, or any other industry, our Thermal Transfer Label product is the perfect solution for you.

Features:

- Product Name: Thermal Label
- Compatibility: Compatible With Various Thermal Printers And Systems
- Customizability: Customizable In Size, Shape, And Color
- Adhesive Type: Strong Adhesive
- Print Resolution: High Definition
- Size: Various Sizes Available

This Thermal Label product is a type of Thermal Self Adhesive Label or Thermal Label Sticker that is made of Thermal Paper Label. It is compatible with various thermal printers and systems and has a strong adhesive type, which makes it perfect for sticking onto various surfaces. The Thermal Label is also highly customizable in size, shape, and color, and has a high definition print resolution, ensuring that the labels are clear and easy to read. Additionally, the Thermal Label comes in various sizes, making it suitable for various labeling needs.

Technical Parameters:

Technical Parameter	Description
Adhesive Type	Strong Adhesive
Application	Versatile (suitable For Shipping, Logistics, Retail, Healthcare, Etc.)
Waterproof	Yes
Quantity	1 Roll
Compatibility	Compatible With Various Thermal Printers And Systems
Print Resolution	High Definition
Customizability	Customizable In Size, Shape, And Color
Size	Various Sizes Available
Durability	Fade-resistant, Smudge-proof, Moisture-resistant
Printing Technology	Direct Thermal

▶ Best Quality Test



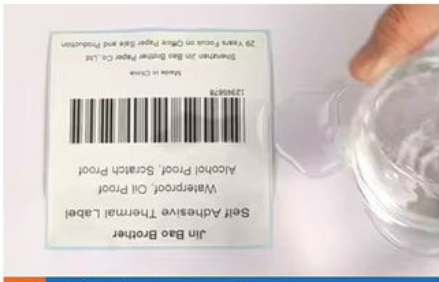
1 Water-proof



2 Oil-proof



3 Scratch-proof



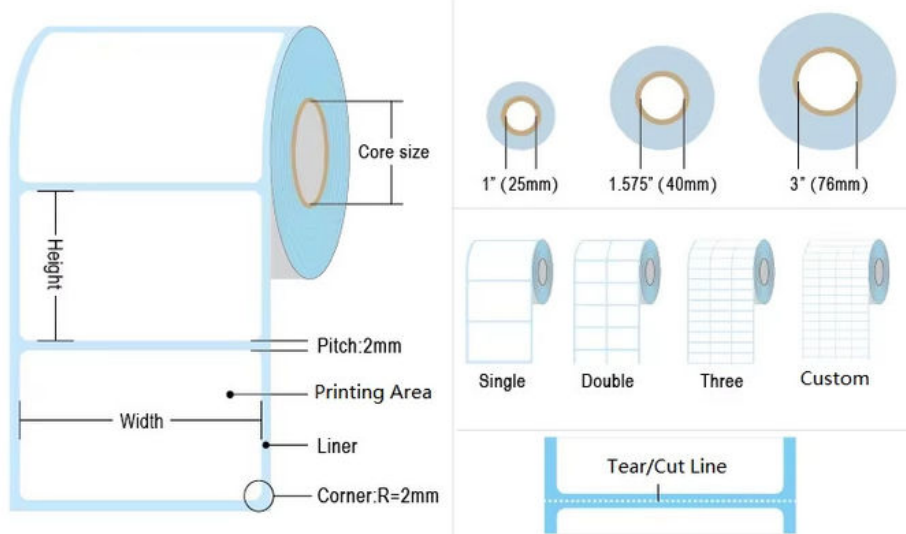
4 Alcohol-proof



5 strong adhesive

[Click Here To Send An Inquiry Immediately!](#)





Applications:

The Thermal Label Sticker comes in various sizes and is customizable in size, shape, and color. The printing technology used is Direct Thermal, which means that no ink or ribbon is needed. The material used in the production of this product is Thermal Paper, which is a recyclable material.

The Thermal Label Sticker is perfect for a range of occasions and scenarios. It is ideal for use in the retail industry, logistics, healthcare, and more. The product is waterproof, making it suitable for use in environments where moisture is present.

The Thermal Label Sticker is a good ink absorption label, which means that it produces high-quality, clear, and crisp prints. This makes it an ideal choice for printing barcodes, product labels, and shipping labels.

In summary, Hanbu's Thermal Label Sticker is a high-quality, customizable, and recyclable product that is perfect for a range of occasions and scenarios. Its good ink absorption label ensures that it produces high-quality prints, and its waterproof feature makes it suitable for use in various environments.



Guangzhou Hanbu Information Technology Co., Ltd.

☎ 15790408050

✉ jennychen@hanbuiot.com

🌐 hanbutech.com

Unit A, 3rd Floor, Building C, No. 16 Shaobai Road, Xintang Town