

# Customized Self Adhesive Thermal Paper Labels 0.071mm Rectangle Shape

Our Product Introduction

for more products please visit us on [hanbutech.com](http://hanbutech.com)

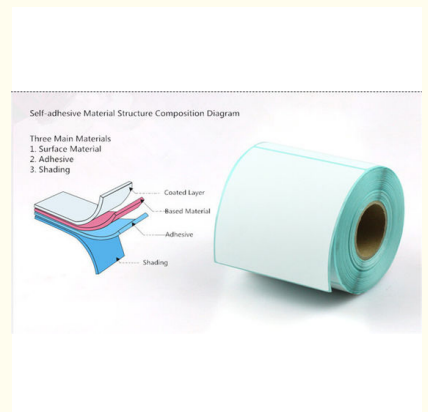
## Basic Information

- Place of Origin: China
- Brand Name: Hanbu
- Certification: ISO9001,ROHS,CE
- Minimum Order Quantity: 2
- Packaging Details: Each roll with plastic bag package
- Delivery Time: 4 - 8 working days
- Payment Terms: L/C, T/T, Western Union, MoneyGram



## Product Specification

- Material: Paper
- Product Name: Direct Thermal Labels
- Top Layer Material: A Smooth White Paper Coated With Black Imaging Thermal Sensitive Coating
- Inner Core Size: 1.57"(40mm) ; (1" And 3" Optional)
- Thickness: Around 0.071mm
- Made In: China
- Shape: Rectangle
- Labels/Roll: Customized
- Highlight: **customized thermal label, customized thermal printer label, adhesive thermal label**



### Product Description:

Our Direct Thermal Labels are specifically designed to work with thermal transfer printers, ensuring that your labels are printed with accurate, crisp, and clear images every time. Whether you need to create barcodes, address labels, or product labels, these labels are the ideal choice for all your thermal printing needs.

One of the key benefits of our Direct Thermal Labels is their waterproof capability. This feature ensures that your labels remain intact and legible even in damp or wet environments. Additionally, our labels are oil-proof, which means that they won't smudge or smear even when exposed to oil or other liquids.

Our Direct Thermal Labels are also scratch-proof, which means that they can withstand rough handling and still maintain their integrity. This makes them perfect for use in high-traffic areas or in applications where labels are frequently handled.

For added convenience, our Direct Thermal Labels are available in a variety of colors, including white or custom colors. This allows you to choose the color that best suits your needs or to color-code your labels for easy identification.

Our Direct Thermal Labels are available in customized rolls to meet your specific labeling requirements. This means that you can choose the size and quantity of labels per roll that works best for you and your business.

With our Direct Thermal Labels, you can be assured of high-quality and durable labels that will stand up to the toughest environments.

Whether you need thermal transfer labels, thermal barcode labels, or thermal printing labels, our Direct Thermal Labels are the ideal choice for all your labeling needs. Order yours today and experience the convenience and durability of our Direct Thermal Labels!

### Features:

Product Name: Thermal Label

Suitable application: Suitable To Use Together With Barcode Printer, pos System And Pos Scale Ect.

Removable: Yes

Thickness: Around 0.071mm

Waterproof: Yes

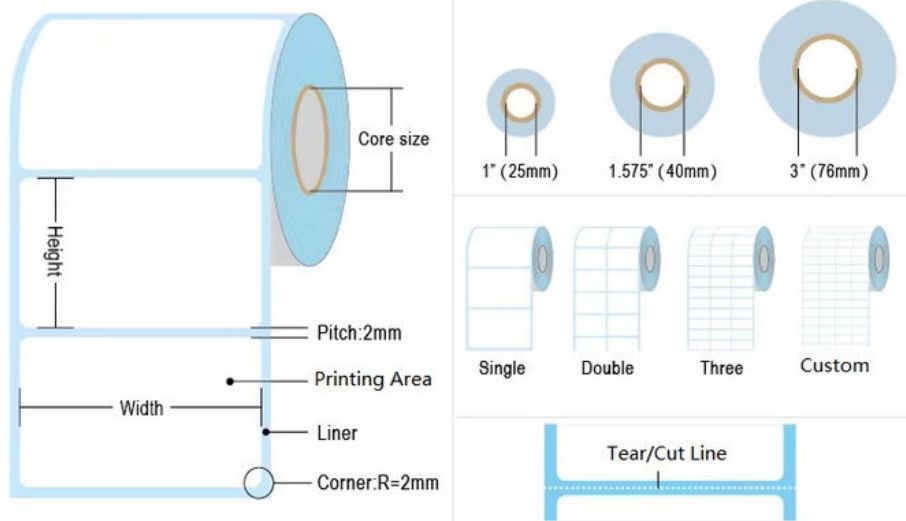
Inner core: Paper Core

Keywords: Thermal Adhesive Label, Thermal Printing Label, Thermal Adhesive Label

### Technical Parameters:

Product Name	Direct Thermal Labels
Material	Paper
Inner Core	Paper Core
Inner Core Size	1.57"(40mm) ; (1" And 3" Optional)
Labels Per Sheet	Can Custom Labels Per Sheet
Waterproof	Yes
Shape	Rectangle
Feature	Water Proof,oil Proof,Scratch Proof.(Alcohol Resistant Optional)
Liner	Blue Color Glassine Paper Back Liner.Yellow/White Color Available
Made In	China





### Applications:

Thanks to their high resolution printing capabilities, these labels are perfect for printing text, logos, and other graphics with exceptional clarity and detail. And with their easy-peel design, Hanbu thermal labels are easy to apply and remove, making them a convenient and hassle-free labeling solution.

These labels are available in a variety of different sizes and shapes, including rectangle shapes, and can be customized to suit your specific needs. Additionally, each roll of labels comes with a plastic bag package for added protection during shipping and storage. With ISO9001, ROHS, and CE certifications, you can be confident that these labels are of the highest quality and meet all relevant safety and environmental standards. And with a minimum order quantity of just 2 rolls, you can order exactly as many labels as you need without having to worry about excess inventory or storage costs.

Delivery time is typically between 4 and 8 working days, and payment can be made via L/C, T/T, Western Union, or MoneyGram. So if you're looking for a reliable, high-quality labeling solution, look no further than Hanbu thermal paper labels!



**Guangzhou Hanbu Information Technology Co., Ltd.**



15790408050



jennychen@hanbuiot.com



hanbutech.com

Unit A, 3rd Floor, Building C, No. 16 Shaobai Road, Xintang Town